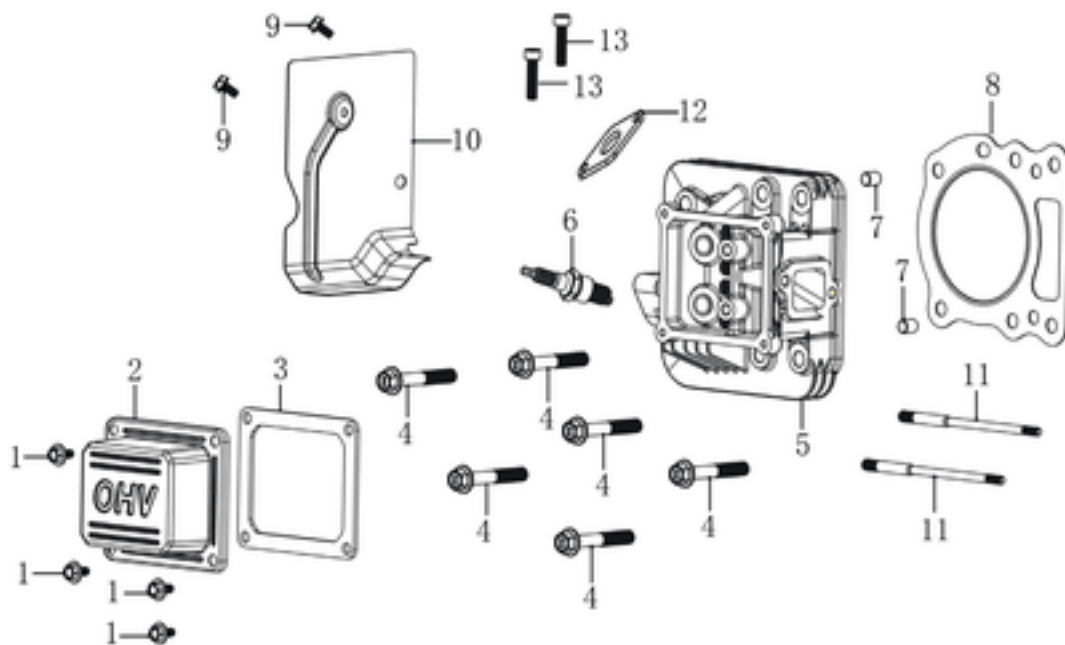




## ILLUSTRATED PARTS LIST

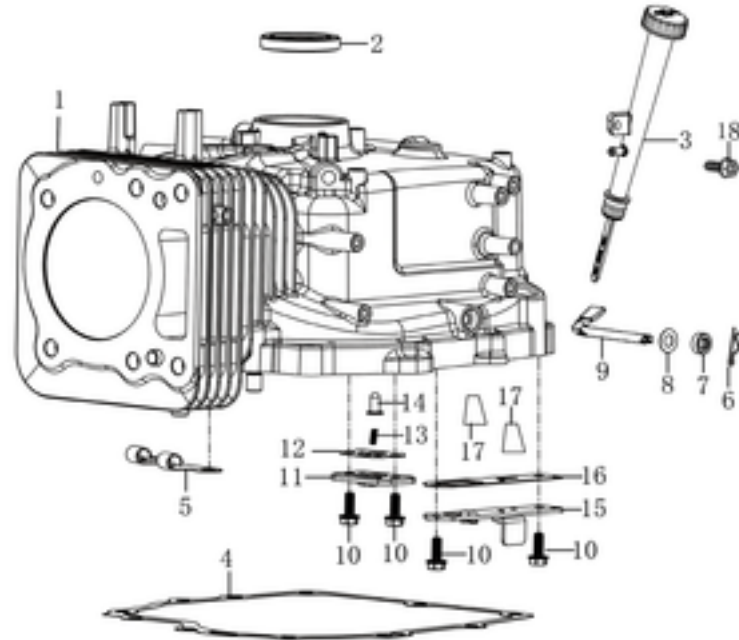
LC1P91F  
LC1P96F





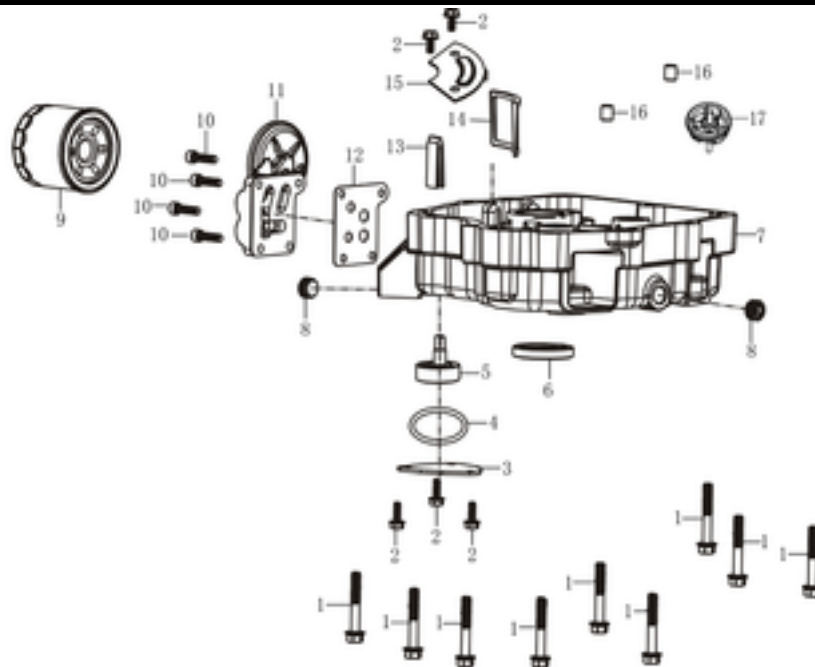
**CYLINDER HEAD**

No.	Part No.	Description	Reqd. QTY	
			G200F(D)A	G210F(D)A
1	LON380020070-T370	BOLT,HEXAGONAL	4	4
2	LON120220053-T430	COVER COMP.,HEAD	1	1
3	LON120250042-T430	PACKING ,HEAD COVER	1	1
4	LON380140455-0001	BOLT,CYLINDER HEAD M10×70	6	6
5	LON120080517-T430	HEAD COMP.,CYLINDER	1	1
6	LON270960014-0001	PLUG,SPARK F7RTC	1	1
7	LON380600123-T370	PIN,DOWEL φ10×12	2	2
8	LON120150184-T420	GASKET,CYLINDER	1	/
	LON120150183-T430	GASKET,CYLINDER	/	1
9	LON380140013-0005	BOLT,FLANGE M6×16	2	2
10	LON160190067-T430	SHROUD COMP	1	1
11	LON380180154-T430	BOLT,STUD,IN.	2	2
12	LON180650074-T370	GASKET,MUFFLER	1	1
13	LON380190168-T381	BOLT 5/16-18UNC L=22	2	2



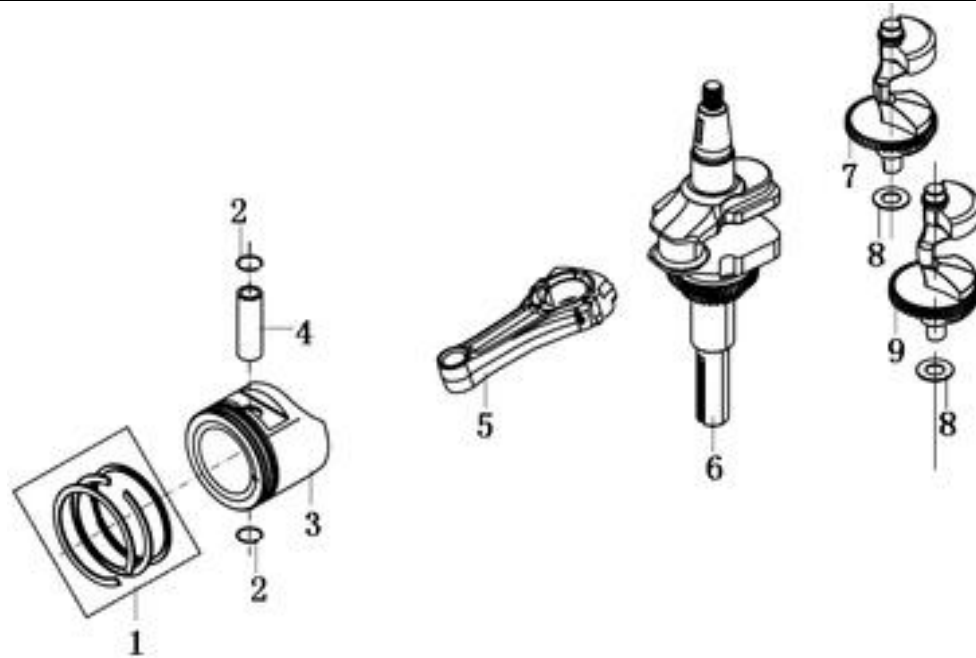
### CRANK CASE

No.	Part No.	Description	Reqd. QTY	
			G200F(D)A	G210F(D)A
1	LON110810199-T420	CRANKCASE	1	/
	LON110810193-T430	CRANKCASE	/	1
2	LON380650337-T110	OIL SEAL,φ35×φ52×7	1	1
3	LON110690061-T430	CAP ASSY	1	1
4	LON110830054-T430	PACKING,CASE COVER	1	1
5	LON380940625-T430	CLAMP	1	1
6	LON381350004-T040	PIN,LOCK	1	1
7	LON380650339-T110	OIL SEAL	1	1
8	LON380450559-T370	WASHER	1	1
9	LON171630020-T381	SHAFT,GOVERNOR ARM	1	1
10	LON380140013-0005	BOLT,FLANGE M6×16	4	4
11	LON174570001-T430	COVER	1	1
12	LON174550001-T430	SEAL	1	1
13	LON381150550-T430	SPRING	1	1
14	LON173240003-T430	PRESSURE REGULATING VALVE	1	1
15	LON140250010-T430	REED VALVE	1	1
16	LON140290009-T430	SEAL	1	1
17	LON174560001-T430	FILTER BLOCK	2	2
18	LON380140077-0005	BOLT,FLANGE M6×20	1	1



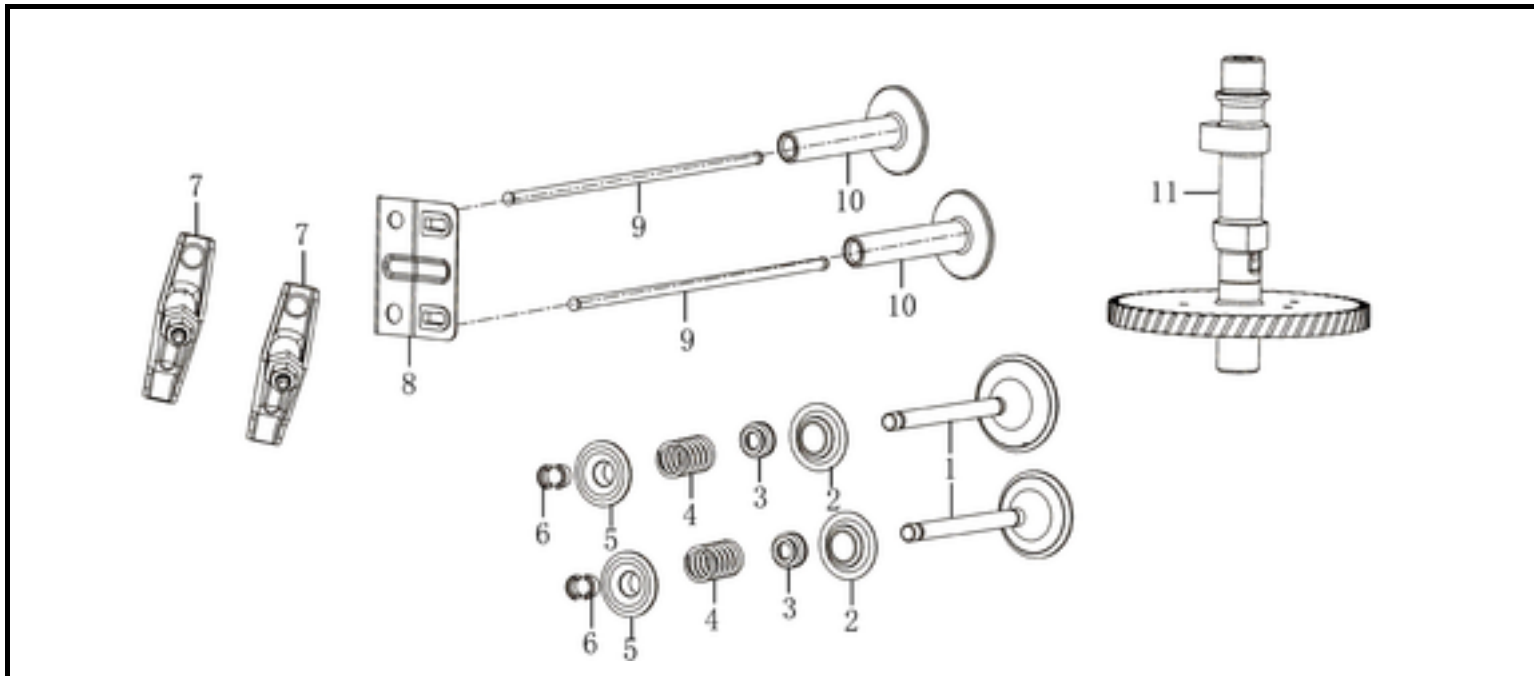
**CRANKCASE COVER**

No.	Part No.	Description	Reqd. QTY	
			G200F(D)A	G210F(D)A
1	LON380140339-0001	BOLT,FLANGE M8×50	10	10
2	LON380140013-0005	BOLT,FLANGE M6×16	5	5
3	LON150040033-T430	OIL PUMP COVER	1	1
4	LON380840665-T390	SEAL RING,OIL PUMP	1	1
5	LON150010076-T430	OIL PUMP	1	1
6	LON380650337-T110	OIL SEAL,φ35×φ52×7	1	1
7	LON110820106-T430	CRANKCASE COVER	1	1
8	LON110260026-T370	DRAIN BOLT 3/8-18 Nptf	2	2
9	LON150350019-T240	OIL FILTER ASSY	1	1
10	LON380190039-0005	BOLT	4	4
11	LON150490013-T430	OIL BAFFLE PLATE	1	1
12	LON150910001-T430	OIL BAFFLE PLATE SEAL	1	1
13	LON150570003-T370	RUBBER,OIL DEFLECTOR	1	1
14	LON150290025-T430	OIL STRAINER	1	1
15	LON150340014-T430	COVER,OIL STRAINER	1	1
16	LON380600123-T370	PIN,DOWEL φ10×12	2	2
17	LON171750021-T381	GOVERNOR GEAR ASSY.	1	1



**CRANKSHAFT/PISTON**

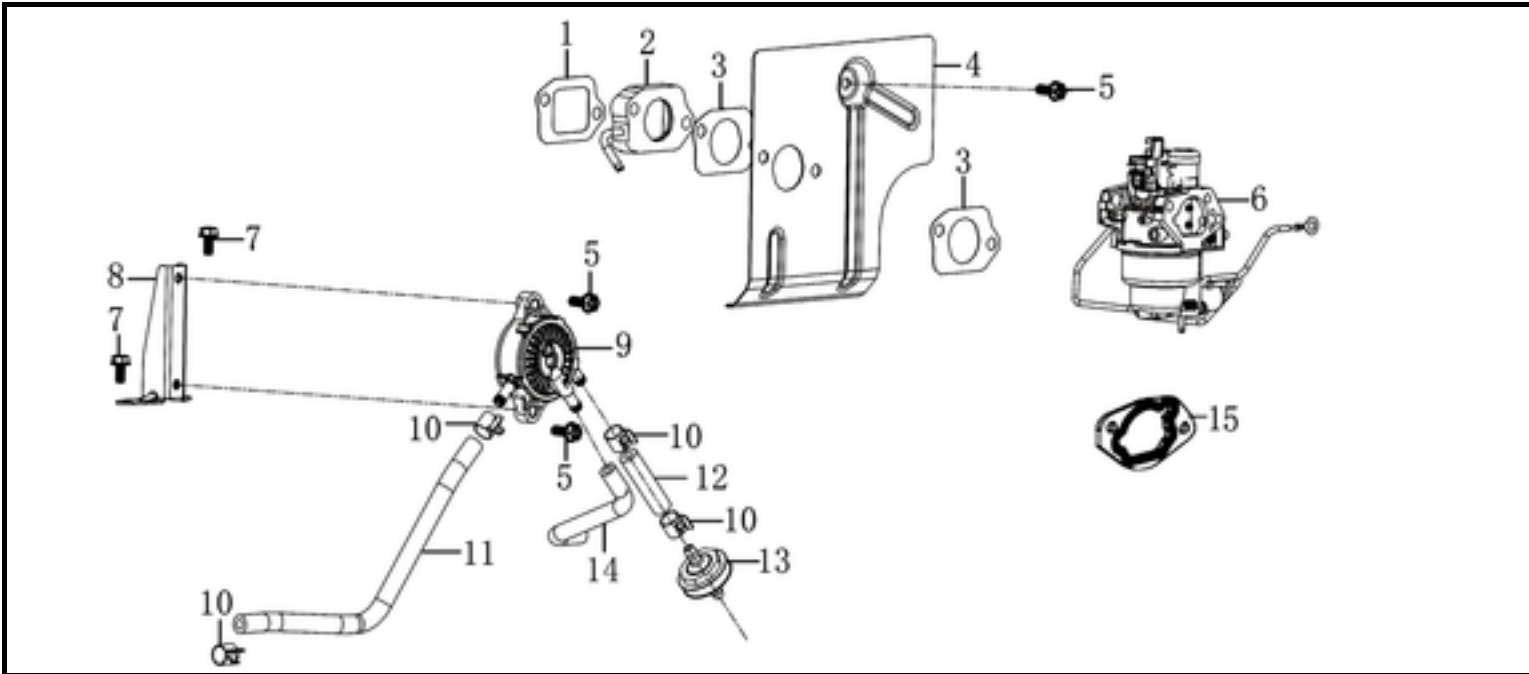
No.	Part No.	Description	Reqd. QTY	
			G200F(D)A	G210F(D)A
1	LON130070183-T420	RING SET	1	/
	LON130070182-T430	RING SET	/	1
2	LON380560057-T110	CLIP,PISTON PIN	2	2
3	LON130030206-T420	PISTON	1	/
	LON130030205-T430	PISTON	/	1
4	LON130060064-T430	PIN,PISTON	1	1
5	LON130150092-T430	ROD ASSY.,CONNECTING	1	1
6	LON130290397-T430	CRANKSHAFT COMP	1	1
7	LON130450027-T430	WEIGHT,BALANCER	1	1
8	LON380450895-T430	WASHER	2	2
9	LON130450028-T430	WEIGHT,BALANCER	1	1



**GAS DISTRIBUTION ADJUSTMENT**

No.	Part No.	Description	Reqd. QTY	
			G200F(D)A	G210F(D)A
1	LON500550064-T430	VALVE ASSY.	1	1
2	LON140360010-T110	SEAT, VALVE SPRING	2	2
3	LON140400012-T110	SEAL, VALVE STEM	2	2
4	LON140340025-T11D	SPRING, VALVE	2	2
5	LON140380021-T11D	RETAINER, VALVE SPRING	2	2
6	LON140390015-T11D	VALVE KEEPER	4	4
7	LON140450035-T390	VALVE ROCKER ASSY	2	2
8	LON140710012-T430	PLATE, ASSY	1	1
9	LON140670036-T430	ROD, PUSH	2	2
10	LON140690004-T110	LIFTER VALVE	2	2
11	LON140020101-T430	CAMSHAFT ASSY.	1	1

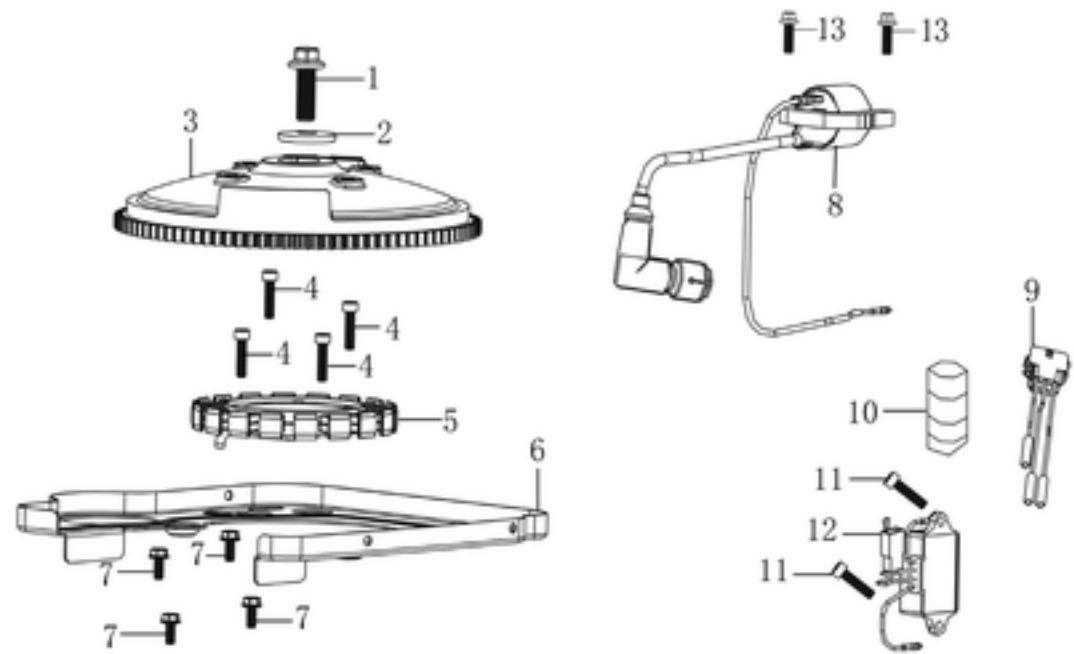




### CARBURETOR

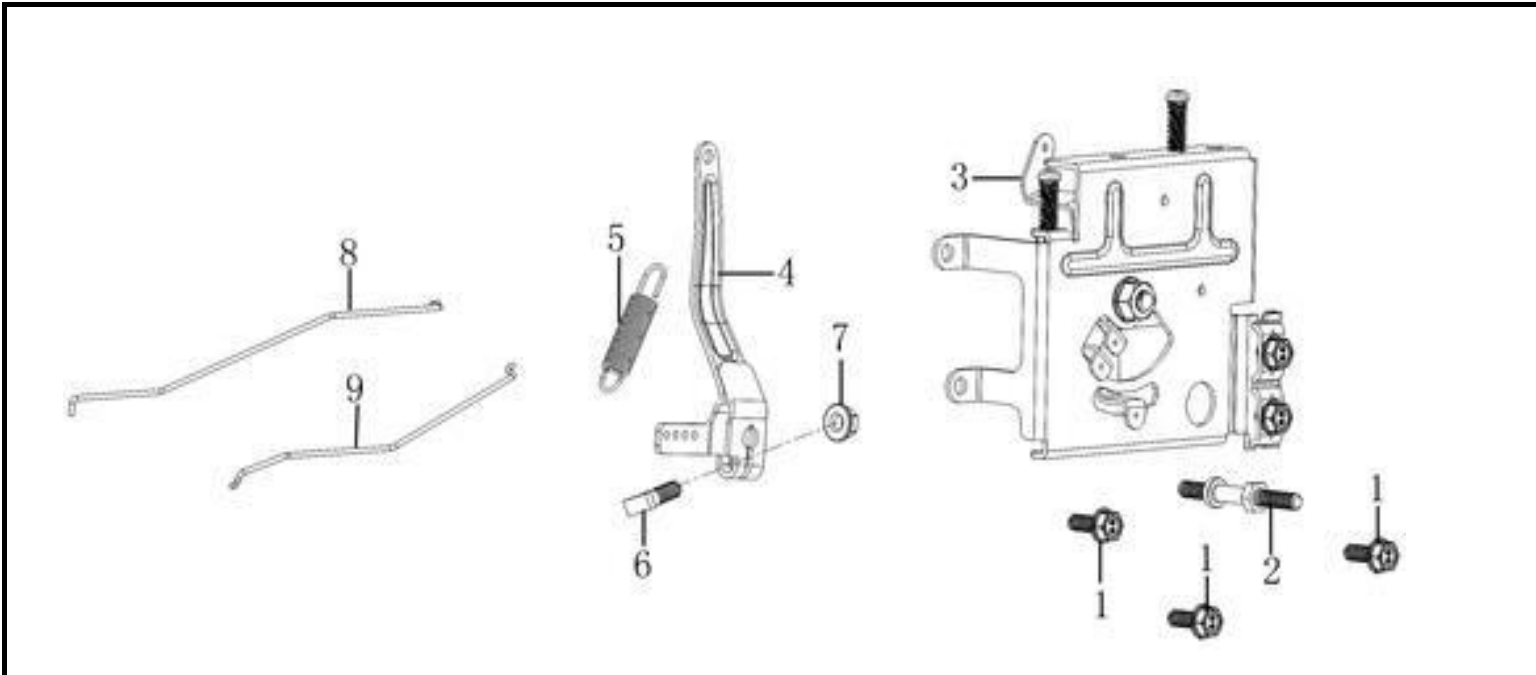
No.	Part No.	Description	Reqd. QTY	
			G200F(D)A	G210F(D)A
1	LON170430154-T430	PACKING,INSULATOR	1	1
2	LON170440081-T430	INSULATOR,CARBURETOR	1	1
3	LON170430153-T430	PACKING.,CARBURETOR	2	2
4	LON160190066-T430	SHROUD COMP	1	1
5	LON380140013-0005	BOLT,FLANGE M6×16	3	3
6	LON170021179-T420	CARBURETOR	1	/
	LON170021178-T430	CARBURETOR	/	1
7	LON380140067-0003	BOLT,FLANGE M6×12	2	2
8	LON170470008-T430	STENT FUEL PUMP	1	1
9	LON170460010-T381	FUEL PUMP	1	1
10	LON380960120-0004	LOOP TUBE	4	4
11	LON380750401-T040	OIL PIPELINE	1	1
12	LON380750435-T370	OIL PIPELINE	1	1
13	LON170010018-T370	STRAINER,FUEL	1	1
14	LON380741010-T430	TUBE,BREATHER	1	1
15	LON170430136-T381	SPACER COMP., AIR CLEANER	1	1





**FLYWHEEL/COIL ASSY.**

No.	Part No.	Description	Reqd. QTY	
			G200F(D)A	G210F(D)A
1	LON380140457-T390	BOLT,FLANGE M12×35	1	1
2	LON380450702-T390	WASHER	1	1
3	LON270020222-T430	FLYWHEEL COMP	1	1
4	LON380190039-0005	BOLT M6×25	4	4
5	LON270190020-T430	COIL ASSY,CHARGE	1	1
6	LON160200050-T430	SHROUD COMP	1	1
7	LON380140013-0005	BOLT,FLANGE M6×16	4	4
8	LON270920282-T430	COIL ASSY.,IGNITION	1	1
9	LON271280038-T381	OUTPUT WIRE,RECTIFIER	1	1
10	LON273600005-0001	CASING	1	1
11	LON380190008-0005	BOLT M6×20	2	2
12	LON270880157-T430	RECTIFIER	1	1
13	LON380140086-0002	BOLT,FLANGE M6×22	2	2



**CONTROL SYSTEM**

No.	Part No.	Description	Reqd. QTY	
			G200F(D)A	G210F(D)A
1	LON380140013-0005	BOLT,FLANGE M6×16	3	3
2	LON380180153-T430	BOLT,STUD	1	1
3	LON171680091-T430	CONTORL ASSY	1	1
4	LON171620031-T430	ARM,GOVERNOR	1	1
5	LON171600055-T430	SPRING,GOVERNOR	1	1
6	LON380250002-T040	BOLT,GOVERNOR ARM	1	1
7	LON380370066-0001	NUT,FLANGE	1	1
8	LON171590022-T430	ROD,GOVERNOR	1	1
9	LON171650020-T430	ROD,THROTTLE	1	1



